

**Step 6:**

Slide the **Shallow Wire Basket (G)** onto the top sidebars and **Deep Wire Basket (H)** onto the bottom sidebars. And place **Inlays (I)** on the shelf and the wire baskets.

**STACKING:**

Assemble a second unit. Instead of screwing the leveling feet, screw the **Stacking Connectors (J)** into the bottom of each pole. Remove pole caps from the first unit. Then carefully install the second unit on all four of the poles.

**WARNING:**

- **EACH BASKET HOLDS 5 LB (2.2 KG) EVENLY DISTRIBUTED.**
- **THE SHELF HOLDS 15 LB (6.8 KG) EVENLY DISTRIBUTED.**

**DOUBLE BASKET ORGANIZER**

Model No. 05122

**ASSEMBLY INSTRUCTIONS**



**Customer Service**

Tel 1.310.533.3800

Tel 1.800.323.5565

Fax 1.310.533.3899

Monday through Friday 8:30 am - 4:30 pm (Pacific Time)



Seville Classics, Inc.

Torrance, CA 90501 USA

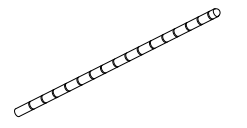
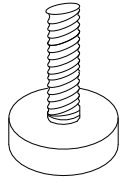
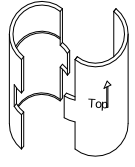
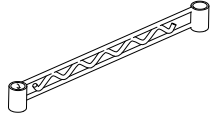
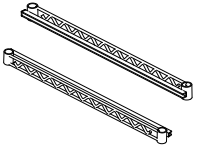
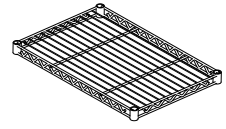

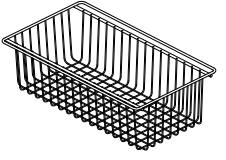

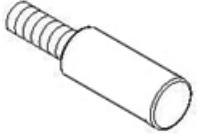
[www.sevilleclassics.com](http://www.sevilleclassics.com)

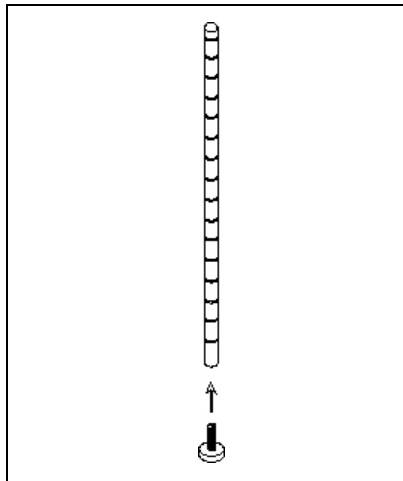
Please read and save these instructions

©2013 Seville Classics, Inc.



Please make sure you have all the parts before assembly

<b>A</b>	4 pcs	<b>B</b>	4 pcs	<b>C</b>	16 pairs	<b>D</b>	2 pcs
Poles		Leveling Feet		Slip Sleeves		Cross Bars	
							
<b>E</b>	2 pairs	<b>F</b>	1 pc	<b>G</b>	1 pc	<b>H</b>	1 pc
Sidebars		Shelf		Shallow Wire Basket		Deep Wire Basket	
							
<b>I</b>	3 pcs	<b>J</b>	4 pcs				
Inlays		Stacking Connectors					
							



**Step 1:**

Screw the **Leveling Feet (B)** into the bottom of each **Pole (A)**.

**Step 2:**

Starting at the bottom, fasten a pair of **Slip Sleeves (C)** around the groove of each pole. If necessary, move the sleeves slightly up or down until it snaps into position.

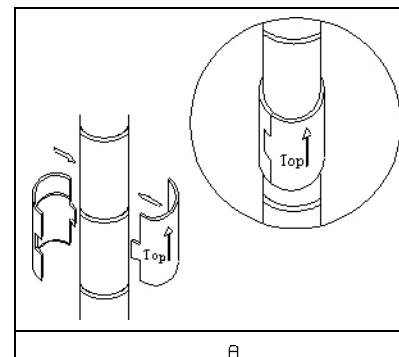
**Step 3:**

Slide **Cross Bars (D)** over the front and back poles and push down firmly.

**Step 4:**

Place slip sleeves around the grooves of the poles and slide the **Sidebars (E)** on each side of the poles. Repeat for the second pair of sidebars.

NOTE: The drawer glides on sidebars face inward to support wire baskets.



**Step 5:**

Fasten slip sleeves at the top grooves of the poles and slide **Shelf (F)** over the poles.