

#14304

4-SHELF HOMESTYLE SHELVING – ASSEMBLY INSTRUCTIONS

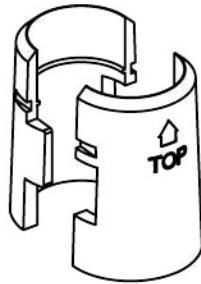
A - 4 pcs



Poles

B - 16 pairs

Slip Sleeves



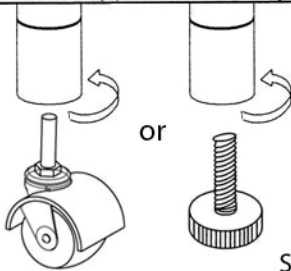
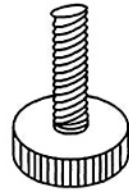
C - 4 pcs

Shelves



D - 4 pcs

Leveling Feet



or

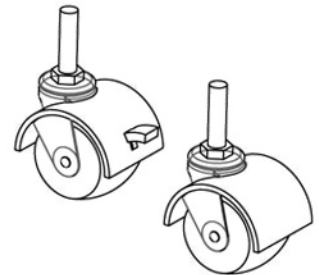
Step 1

Step 1:

Screw the **Leveling Feet (D)** or **Casters (E)** into the bottom **Poles (A)**.

E - 2 pairs

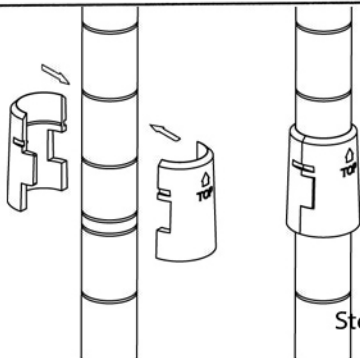
Casters



Step 2

Step 2:

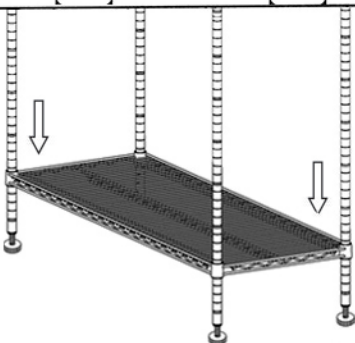
Screw the top and bottom poles together.



Step 3

Step 3:

Starting from the bottom, fasten a pair of **Slip Sleeves (B)** around the groove of each pole.

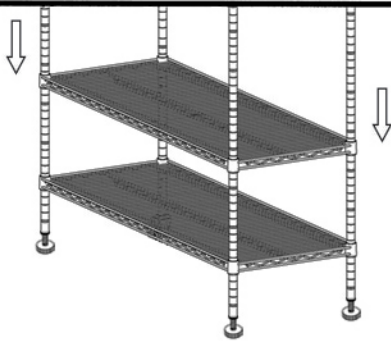


Step 4

Step 4:

Slide a **Shelf (C)** over the top of the 4 poles until it rests snugly over the sleeves.

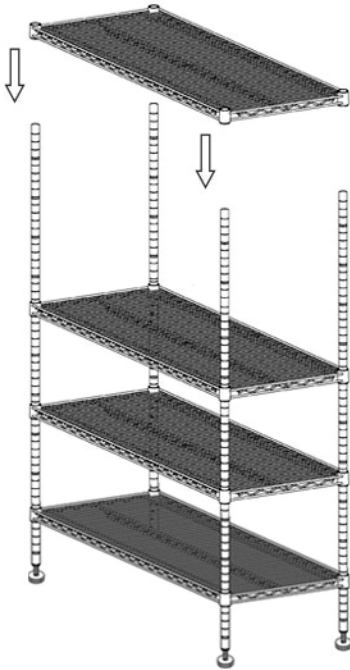
TIP: If necessary, use a rubber mallet to further secure the shelf.



Step 5

Step 5:

Fasten more slip sleeves on the poles and slide 2 shelves to fit tightly on them.



Step 6

Step 6:

Fasten 4 pairs of slip sleeves at the very top of the poles. Slide on the last shelf.

If you are missing any parts, have any questions, or need additional assistance in assembly, please contact our customer service department at:

Seville Classics
Torrance, CA 90501 USA
www.sevilleclassics.com

Customer Service:
Tel: 310-533-3800
Tel: 800-323-5565
Fax: 310-533-3899
Monday through Friday 8:30AM – 4:30PM (Pacific Standard Time)

CAUTION:

DO NOT STAND ON OR CLIMB ON THE SHELVING SYSTEM. DO NOT DROP HEAVY ITEMS ON THE SYSTEM. PLACE HEAVIER ITEMS ON THE LOWER SHELVES AND LIGHTER ONES ON TOP. DO NOT MOVE THE SYSTEM WHILE LOADED.

WARNING:

- EACH SHELF HOLDS 300 LB (136 KG) EVENLY DISTRIBUTED WITH LEVELING FEET.
- THE ENTIRE SHELVING SYSTEM HOLDS 1,200 LB (544 KG) WITH LEVELING FEET.
- THE ENTIRE SHELVING SYSTEM HOLDS 110 LB (50 KG) WITH CASTERS.