

MEASURE FIRST

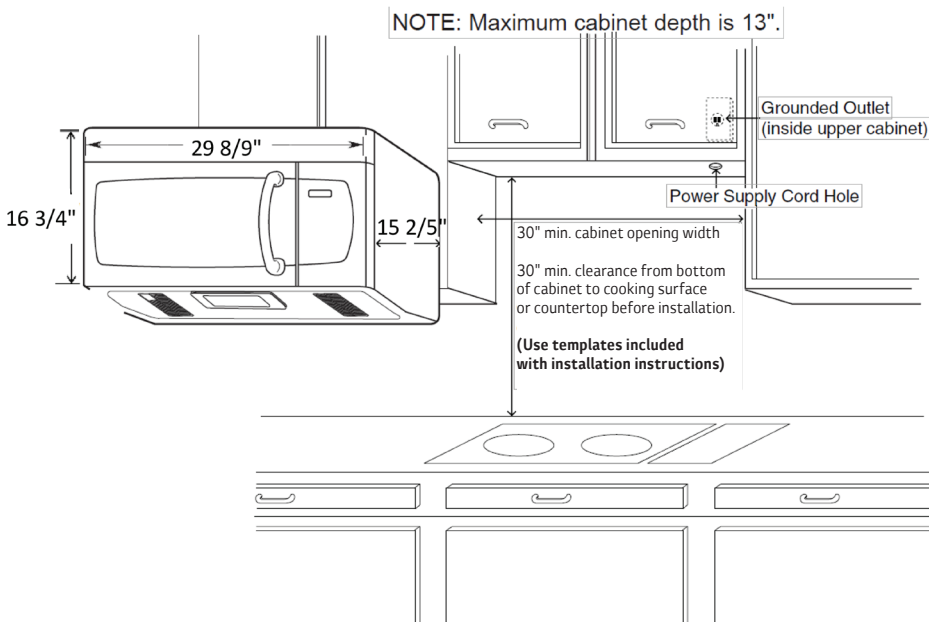
LG MICROWAVE QUICK INSTALLATION GUIDE

Installing your Over-the-Range Microwave Oven

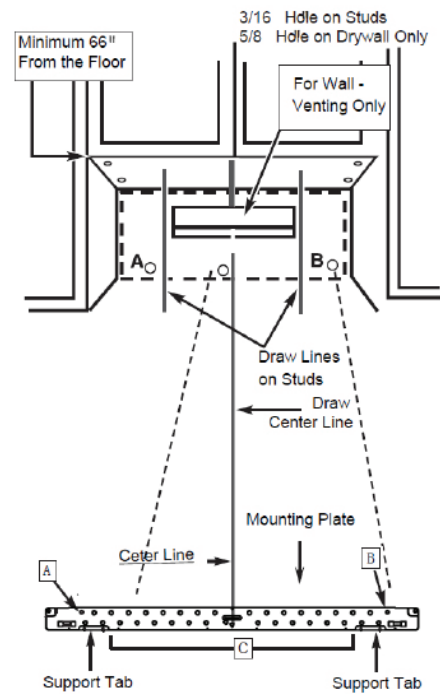
Whether you are installing your Microwave Oven yourself or with the help of a general contractor, it is important to **Follow the Step-by-Step Installation Guide and Templates** provided with your purchase.

! Product dimensions differ from model to model. Dimensions below are for reference only.

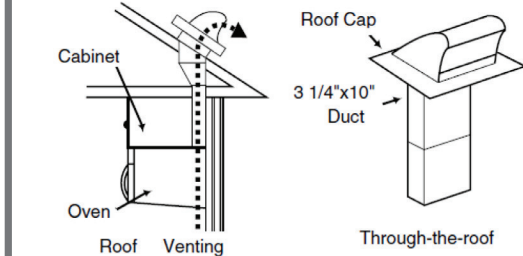
DIMENSIONS / CLEARANCES



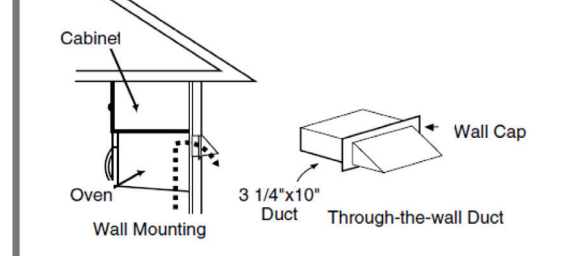
INSTALLING THE MOUNTING PLATE



ROOF VENTING



WALL VENTING



Installing your Counter-Top Microwave Oven

Countertop Microwaves can differ greatly in size depending on exact model & capacity purchased.

! Please reference LG.com for specific exterior product dimensions found in the Tech Specs section.