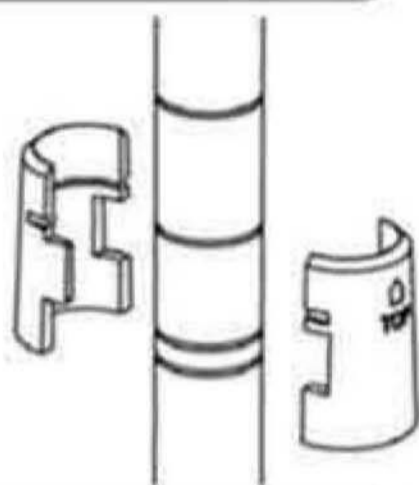


MODEL NO. SHE99309Z ASSEMBLY INSTRUCTIONS – UTILITY CART

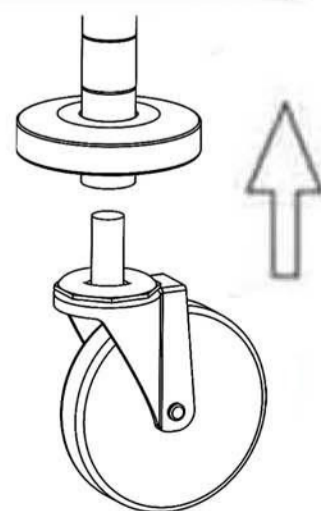
Step 3: Fasten a pair of slip-sleeves to each pole then slide on the second shelf.

Step 2: Fasten a pair of slip-sleeves to each pole then slide on the first shelf.



Step 1: Attach the wheel and bumper for each pole.

Tip: The wheel needs to be fully pushed into the bottom of the pole.



Step 6: Make sure all shelves are firmly set. Secure the shelf at each corner with your hand or a rubber mallet.

Step 5: Fasten a pair of slip-sleeves to each pole then slide on the tray.

Step 4: Fasten 2 pairs of slip-sleeves to the 2 right poles then slide on the handle bar.

ENTIRE CART HOLDS 500 LB (226.7 KG)

We would like to hear from you with any comments or suggestions.
In the continental U.S. or Canada, you can call us toll-free at 1.888.301.0332
from 8 a.m. to 5 p.m. CST Monday – Friday.
You can also send us an email using the feedback icon at [SamsClub.com](https://www.samsclub.com)

For assembly questions, please call 1.800.323.5565 from 8:30 a.m. to
4:30 p.m. PST Monday – Friday