

TROUBLE SHOOTING

PROBLEM	POSSIBLE CAUSE	SOLUTION
Light will not come on.	A. Fixture not properly connected. B. Light bulbs not working. C. Fixture not receiving power.	A. Check wires to ensure proper connections. B. Replace light bulbs. C. Check to make sure breaker is on and test another working electrical device to make sure it is receiving power.
Cable does not connect.	A. Correct end of cable not matched with correct end of light.	A. Check markings on cable and light to ensure proper pairing.

*FCC WARNING:

WARNING: Changes or modifications to this unit not expressly approved by the party responsible for compliance could void the user authority to operate the equipment.

NOTES: This equipment has been tested and found to comply with the limits for a Class B digital device, pursuant to Part 15 of the FCC Rules. These limits are designed to provide reasonable protection against harmful interference in a residential installation. This equipment generates, uses and can radiate radio frequency energy, and if not installed and used in accordance with the instructions, may cause harmful interference to radio communications.

However, there is no guarantee that interference will not occur in a particular installation. If this equipment does cause harmful interference to radio or television reception, which can be determined by turning the equipment off and on, the user is encouraged to try to correct the interference by one or more of the following measures:

- Reorient or relocate the receiving antenna.
- Increase the separation between the equipment and receiver.
- Connect the equipment into an outlet on a circuit different from that to which the receiver is connected.
- Consult the dealer or an experienced radio/TV technician for help.

*Applies to light bulbs only

Honeywell



International Development, LLC.
899 Henrietta Creek Rd. Roanoke, TX 76262 USA
Toll-free: 1-877-723-0723

© 2016 IDC, all rights reserved.

The Honeywell Trademark is used under license from Honeywell International Inc.
Honeywell International Inc. makes no representations or warranties with respect to this product.
This product is manufactured for International Development, LLC.



4 FT* LED LINKABLE SHOP LIGHT
MODEL: SH445XX5BYZZ
USE AND CARE GUIDE

SAFETY INFORMATION

IMPORTANT: Read all safety precautions and installations carefully before installing or servicing this fixture.

- 1 connector, 5' connecting wire, 6' power cord with plug, link up to 10 shoplight together.
- Do not handle any energized fixture or attempt to energize any fixture with wet hands or while standing on a wet or damp surface or in water.
- Assure that the fixture is mounted onto a structurally sound surface that will support the fixture.
- The fixture is designed for use in a 120 VAC, 60Hz fused circuit. Do not use on a dimming circuit.
- Do not look into the lights.
- Product is intended for use in garages, basements, work areas, utility rooms and recreation rooms.
- Maximum distance to the receptacle is determined by the length of the cord provided. (6 ft, 3-prong, 120V grounded plug included)
- Includes a protective sleeve, such as 0.010-inch (0.25-mm) thick fiberglass, where the path of cord travel to the ceiling-mounted receptacle is not between the two supporting chains.
- The fixture is intended to be installed directly beneath a ceiling-mounted receptacle. Excess cord should be secured to one of the supporting chains with a cable tie to keep it out of the work space.
- Use hook to support chain, not the electrical cord.
- Do not install on radiant-heating type ceiling.
- Maximum distance to the receptacle is determined by the length of cord provided.

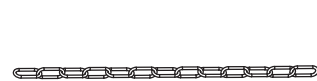
WARNING: Failure to comply with these instructions could result in a potentially fatal electric shock and/or property damage.

PRE-INSTALLATION

PLANNING INSTALLATION

- Carefully remove the fixture from the carton and check to make sure that all hardware is included.
- Be careful not to misplace any of the hardware needed for installing the fixture. If all hardware is not included, call customer service number.

HARDWARE INCLUDED



AA: 12 in. Hanging Chain (4)
Maximum Weight: 7 kgs.



DD: 5' Linking Cable (1)



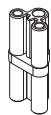
FF: 6' 3-Prong Power Cord (1)



BB: "S" Hook (8)
2.0 mm x 25.4 mm x 11.6 mm



CC: Ceiling Hook (2)
3.0 mm x 54.5 mm x 15.6 mm



EE: Flush Connector (1)



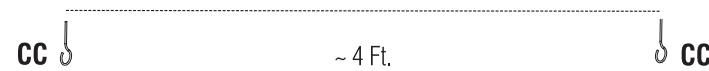
GG: End Cap Included

INSTALLATION

NOTE: The unit is intended to be installed directly beneath a ceiling-mounted receptacle. If there is excess cord, bind with string or a cable tie to keep it out of work space.

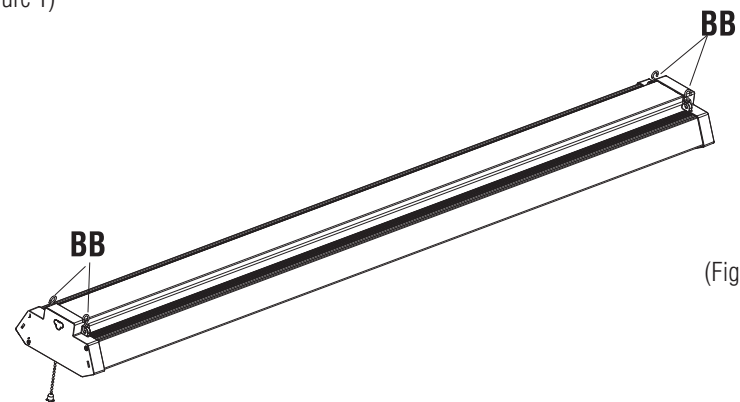
ATTACH THE CEILING HOOKS

Choose desired location of light fixture making sure it is within reach of an outlet. Use a pencil to place a mark on the ceiling where each ceiling hook (Part CC) should go. Screw hooks in place until secure.



ATTACH THE "S" HOOKS

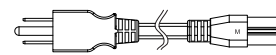
Insert the "S" hooks (Part BB) into each of the holes on both sides of the shop Light. (Figure 1)



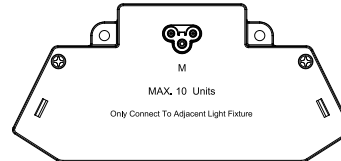
(Figure 1)

ATTACH THE HANGING CHAIN

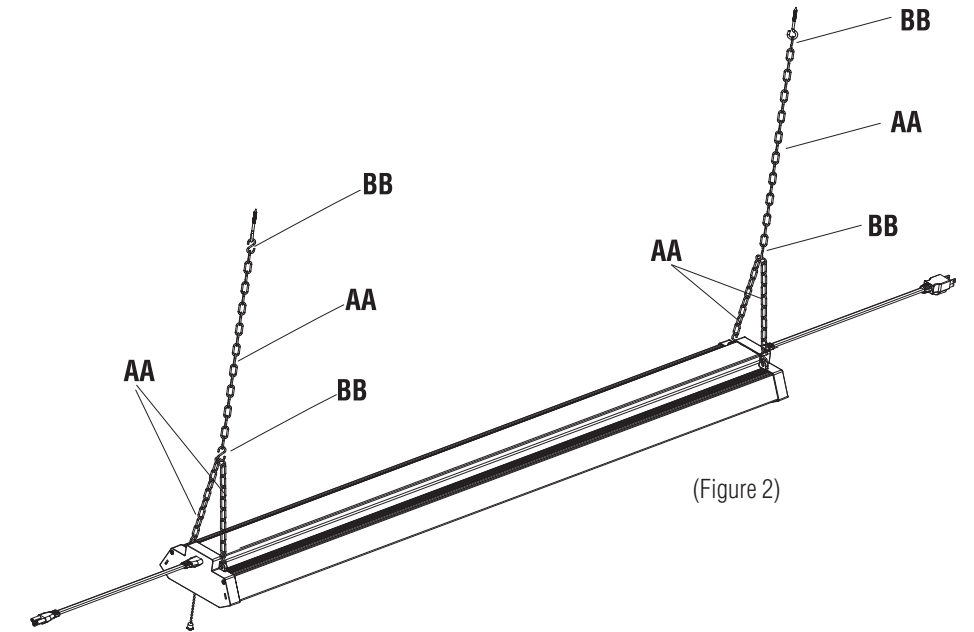
1. Using two hanging chains (Part AA) attach a hanging chain to one of the "S" hooks (Part BB) previously attached to each side of the light fixture. (Figure 2)
NOTE: The hanging chain must be bent in half in order to attach each side to an "S" hook.
2. Attach two additional "S hooks" (Part BB) to the center of each hanging chain previously attached.
3. Attach the remaining hanging chains (Part AA) to the "S" hooks (Part BB) previously attached.
4. Adjust chain manually to achieve desired height.
5. Attach the remaining "S" hooks (Part BB) to the hanging chains and attach to the ceiling hooks.
6. Determine whether a single or multiple lights are to be installed. If multiple lights will be installed, choose connection option (flush or 5' linking cable) shown in **CONNECTION OPTIONS**. Connect lights per instructions and repeat steps 1-5 (under Attach the Hanging Chain) for each light connected.
NOTE: Lights should be supported by included hanging chain hardware only. Attach hanging chain hardware to support light prior to connecting with flush or 5' linking cable connectors.
7. Plug in power cord (FF) to correct receptacle at end of shop light.
6' power cord connector labelled "M" to shop light connection labelled "M"
8. Plug power cord into an outlet to use pull chain to power on.



6' power cord with plug's "M" or 5' connecting wire's "M" or flush connector's "M" connected to shoplight's "M"



INSTALLATION



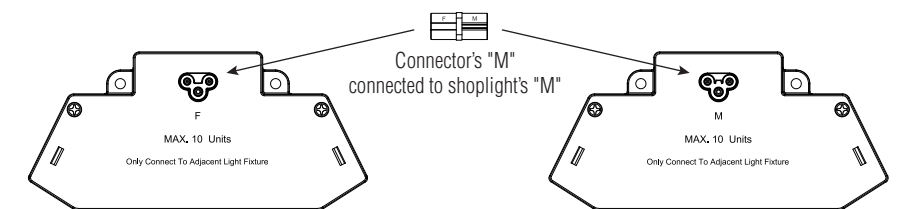
(Figure 2)

CONNECTION OPTIONS

NOTE: You may connect up to 10 lights from a single circuit. If no lights are connected, use end cap (Part GG).

1. FLUSH MOUNT

Use included flush mount connector to array lights in a back to back orientation. Match flush connector "M" and "F" to "F" and "M" on shop light.



2. 5' LINKING CABLE

Use included 5' linking cable in situations where lights s/b further apart, plug 5' linking cable into end of shop light and connect other end to next light.
NOTE: Linking cable will only fit one end of shop light.

