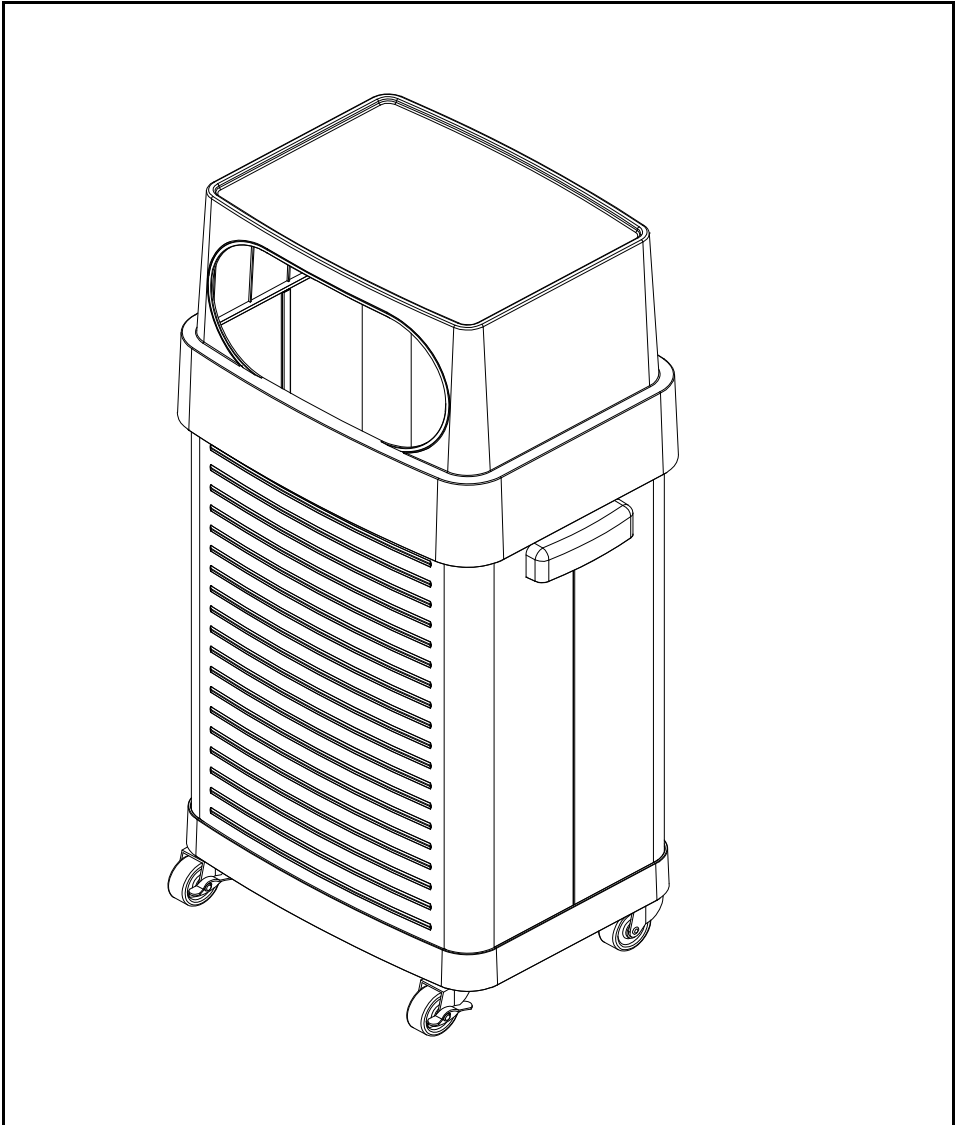
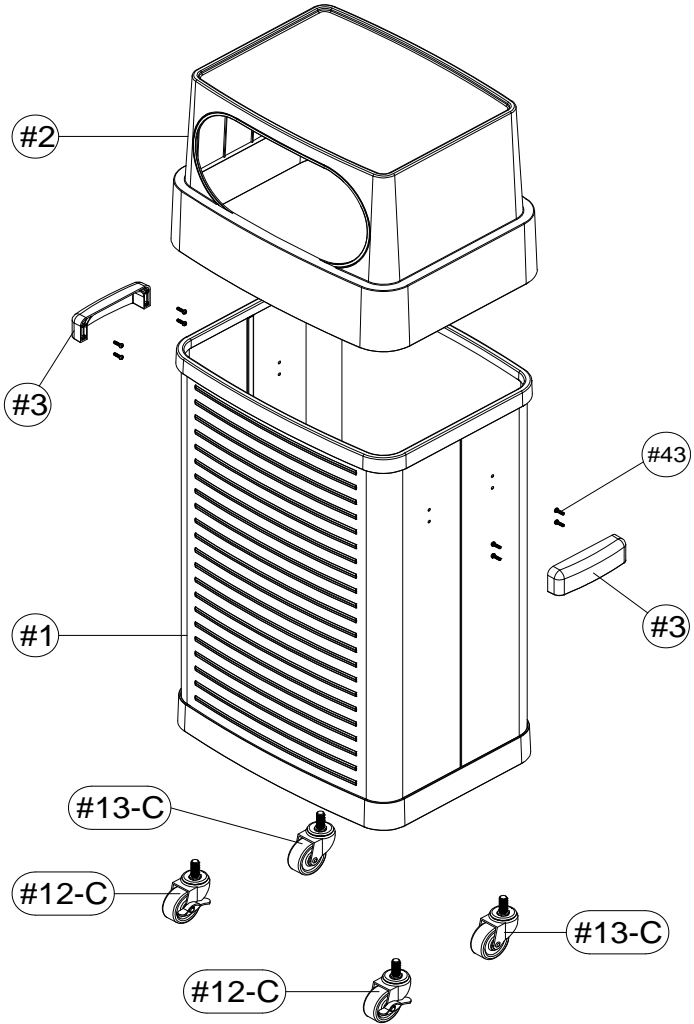


# ASSEMBLY INSTRUCTIONS

## UltraHD Trash Bin (Model No. 20215)

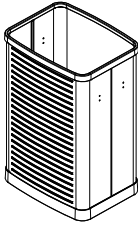
17.2 in W x 12.8 in D x 34.5 in H  
(43.6 cm x 32.5 cm x 87.6 cm)



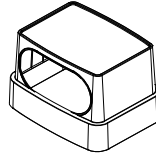


## PARTS LIST (pg 2 of 4)

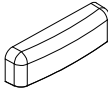
Please check the parts carefully according to the parts list. If you are missing any parts, please call our customer service department (please refer to page 4 of 4).



**(#1) BODY x 1 PC**



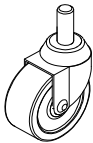
**(#2) TOP x 1 PC**



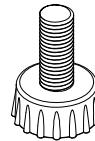
**(#3) HANDLE x 2 PCS**



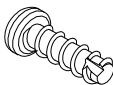
**(#12-C) SWIVEL WHEEL WITH BRAKE x 2 PCS**



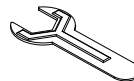
**(#13-C) SWIVEL WHEEL W/O BRAKE x 2PCS**



**(#13-E) LEVELING FEET x 4 PCS**



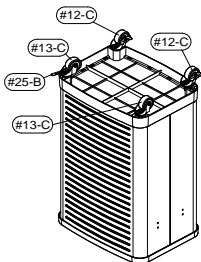
**(#43) SCREW H (M4 x 15L) x 8 PCS**



**(#25-B) WRENCH x 1 PC**

# ASSEMBLY INSTRUCTIONS (pg 3 of 4)

## UltraHD Trash Bin (Model No. 20215)



### **Step 1: Install (#12-C & #13-C) Swivel Wheels or (#13-E) Leveling Feet.**

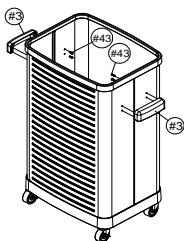
Open the box and turn the (#1) Body upside down.

#### **If using (#12-C & #13-C) Swivel Wheels:**

Install (#12-C) Swivel Wheel with Brake and (#13-C) Swivel Wheel without Brake onto the bottom panel of the (#1) Body. Use (#25-B) Wrench to screw-in the (#12-C & #13-C) Swivel Wheels completely.

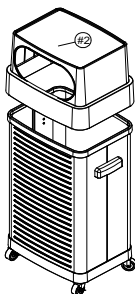
#### **If using (#13-E) Leveling Feet:**

Install (#13-E) Leveling Feet onto the bottom panel of the (#1) Body.



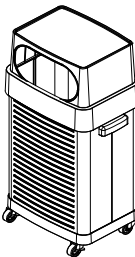
### **Step 2: Install (#3) Handle.**

Turn (#1) Body upright after you install the wheels or leveling feet. Attach the (#3) Handles to the side of the (#1) Body. Line up the screw holes and use (#43) Screw H (M4x15L) to tighten.



### **Step 3: Placing (#2) Top.**

Put a plastic bag (not included) inside the (#1) Body, then place the (#2) Top onto the (#1) Body.



- Note:**
1. No plastic bag included for the Trash Bin.
  2. Use either wheels or leveling feet. DO NOT install both.

**Volume Capacity: 65 L / 17 gal**

\*If you are missing any parts, have any questions, or need additional assistance in assembly, please contact our bilingual (English and Spanish) customer service department at:

**Seville Classics, Inc.**  
19401 South Harborgate Way  
Torrance, CA 90501  
USA

Telephone: (800) 323-5565 within USA

Hours: 9:00am - 4:30pm (Pacific Standard Time)

Fax: (310) 533-3899

E-mail: [support@sevilleclassics.com](mailto:support@sevilleclassics.com)

Website & Online Store: [www.sevilleclassics.com](http://www.sevilleclassics.com)

**\*Please visit our website or call and inquire about our additional UltraHD Line\***