

WARNING:

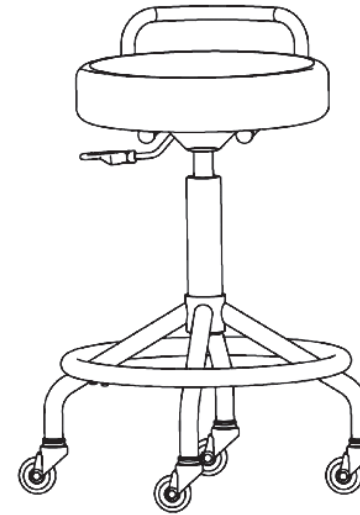
- Maximum weight capacity is 300lb / 136kg
- Do not stand on stool
- Do not stand on footrest
- Do not sit on the edge of stool
- Indoor use only
- Use this product on level floors only
- Failure to follow this warning can result in serious injury
- If the stool is not operating properly or if any part is loose, missing or broken, immediately stop using the stool and call customer service.

Periodically, tighten screws to prevent seat from coming loose.

UltraHD Cushioned Pneumatic Stool

Model No.18294

ASSEMBLY INSTRUCTIONS



Customer Service

Tel 1.310.533.3800

Tel 1.800.323.5565

Fax 1.310.533.3899

Monday through Friday 9:00 am - 5:00 pm (Pacific Time)



Seville Classics, Inc.

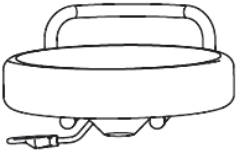
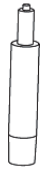
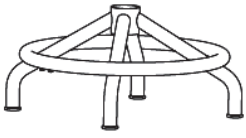
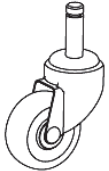

Torrance, CA 90501 USA

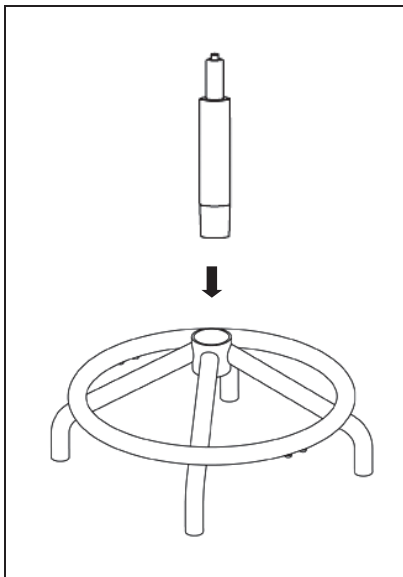
www.sevilleclassics.com

Please read and save these instructions

©2014 Seville Classics, Inc.

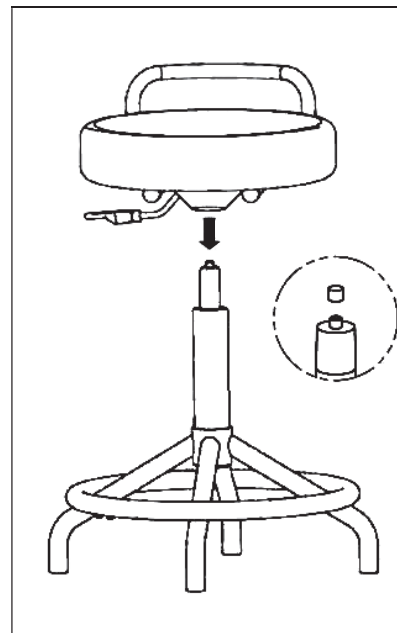
Please make sure you have all the parts before assembly.

A	1 pc Padded Seat	B	1 pc Pneumatic Cylinder	C	1 pc Base
					
D	4 pcs Wheels	E	4 pcs Resin Leg Caps		
					



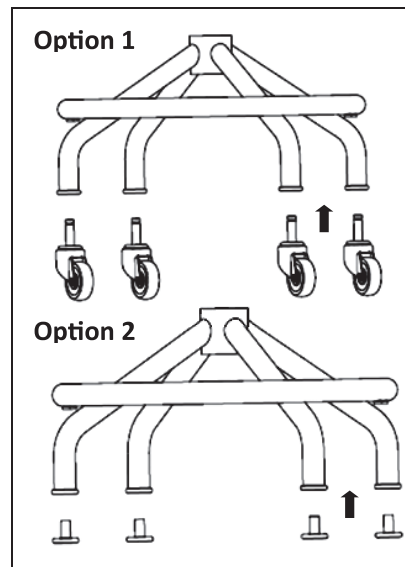
Step 1:

Insert the large end of the **Pneumatic Cylinder (B)** into the **Base (C)** collar.



Step 2:

First, remove the cylinder protection cap, then place the **Padded Seat (A)** onto the small end of the **Pneumatic Cylinder (B)**.



Step 3:

Insert the **Wheels (D)** into each leg of the **Base (C)**.

Note: The **Resin Leg Caps (E)** may be inserted instead of the wheels.