

#14305

5-SHELF HOMESTYLE SHELVING – ASSEMBLY INSTRUCTIONS

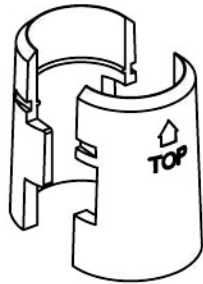
A - 4 pcs



Poles

B - 20 pairs

Slip Sleeves



C - 5 pcs

Shelves



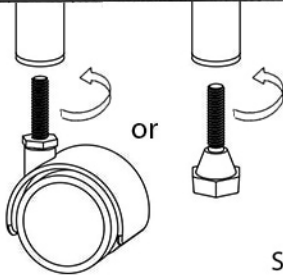
D - 4 pcs

Leveling Feet



E - 2 pairs

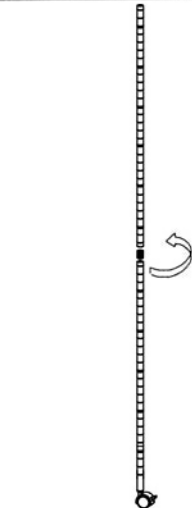
Casters



Step 1

Step 1:

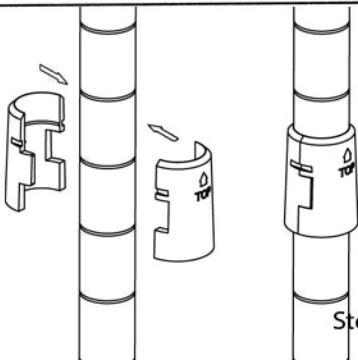
Screw the **Leveling Feet (D)** or **Casters (E)** into the bottom **Poles (A)**.



Step 2

Step 2:

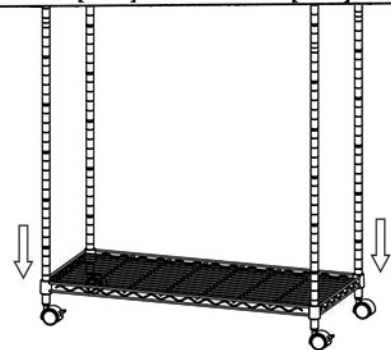
Screw the top and bottom poles together.



Step 3

Step 3:

Starting from the bottom, fasten a pair of **Slip Sleeves (B)** around the groove of each pole.

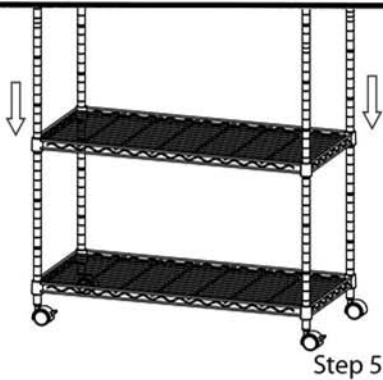


Step 4

Step 4:

Slide a **Shelf (C)** over the top of the 4 poles until it rests snugly over the sleeves.

TIP: If necessary, use a rubber mallet to further secure the shelf.



Step 5

Step 5:

Fasten more slip sleeves on the poles and slide 3 more shelves to rest snugly on them.



Step 6

Step 6:

Fasten 4 pairs of slip sleeves at the very top of the poles. Slide the last shelf to rest snugly on them.

If you miss any parts, have any questions, or need additional assistance in assembly, please contact our customer service department at:

Seville Classics
Torrance, CA 90501 USA
www.sevilleclassics.com

Customer Service:

Tel: 310-533-3800

Tel: 800-323-5565

Fax: 310-533-3899

Monday through Friday 8:30AM – 4:30PM (Pacific Standard Time)

CAUTION:

DO NOT STAND ON OR CLIMB ON THE SHELVING SYSTEM. DO NOT DROP HEAVY ITEMS ON THE SYSTEM. PLACE HEAVIER ITEMS ON THE LOWER SHELVES AND LIGHTER ONES ON TOP. DO NOT MOVE THE SYSTEM WHILE LOADED.

WARNING:

- EACH SHELF HOLDS 300 LB (136 KG) EVENLY DISTRIBUTED WITH LEVELING FEET.
- THE ENTIRE SHELVING SYSTEM HOLDS 1,500 LB (680 KG) WITH LEVELING FEET.
- THE ENTIRE SHELVING SYSTEM HOLDS 130 LB (59 KG) WITH CASTERS.