

5-SHELF SUPER SIZE COMMERCIAL CHROME SHELVING

Model No. 24600

ASSEMBLY INSTRUCTIONS



Customer Service

Tel 1.800.323.5565

Fax 1.310.533.3899

Monday through Friday 8:30 am - 4:30 pm (Pacific Standard Time)



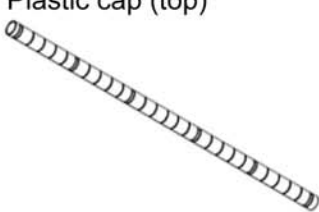
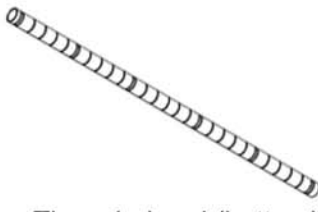

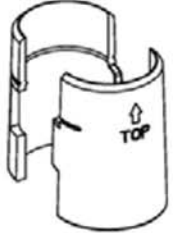
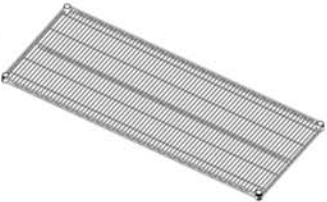
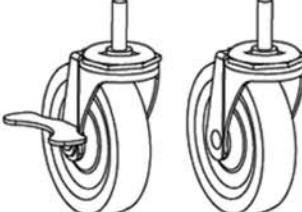
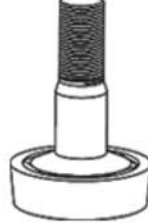
Seville Classics, Inc.

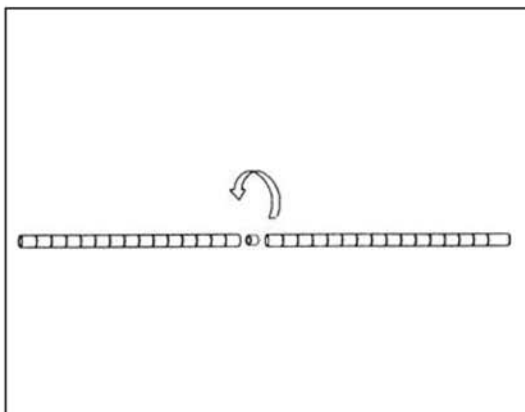
Torrance, CA 90501 USA

www.sevilleclassics.com

Please read and save these instructions ©2012 Seville Classics, Inc.

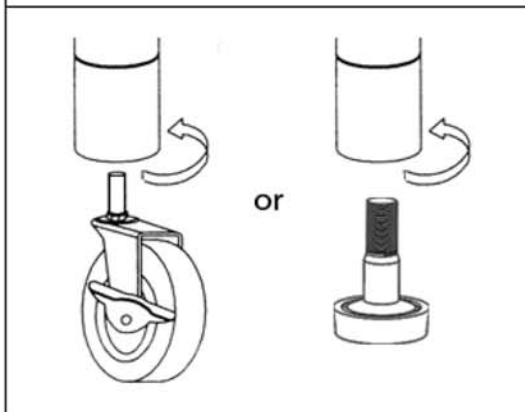
Please make sure you have all the parts before assembly

A	4 pcs	B	4 pcs	C	4 pcs	D	20 pairs
Top Poles		Bottom Poles		Screw Connectors		Slip Sleeves	
Plastic cap (top) 		Threaded end (bottom) 		 (May be attached to pole)			
E	5 pcs	F	2 pairs	G	4 pcs		
Shelves		Wheels		Leveling Feet			
		 locking					



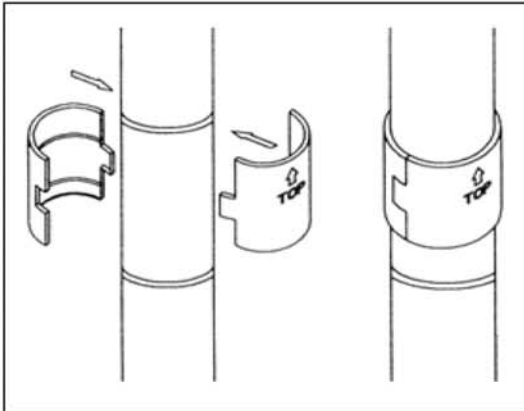
Step 1:

Screw the **Top Poles (A)** and **Bottom Poles (B)** together using the **Screw Connectors (C)**.



Step 2:

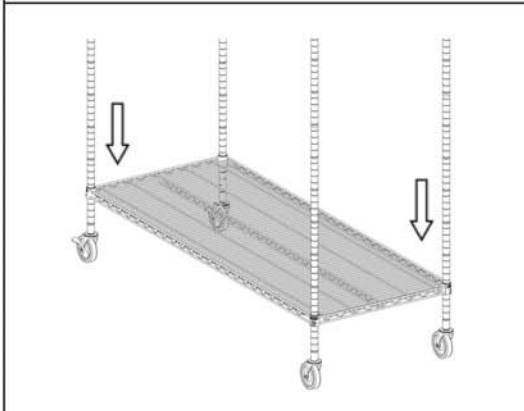
Screw the **Wheels (F)** or **Leveling Feet (G)** into the **Bottom Poles (B)**.



Step 3:

Starting from the bottom, fasten a pair of **Slip Sleeves (D)** around the groove of each pole.

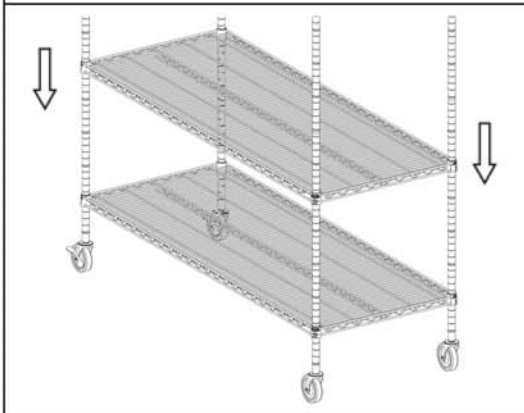
Note: The poles have double grooves every 5 inches for easy assembly.



Step 4:

Slide a **Shelf (E)** over the top of the 4 poles until it rests snugly over the sleeves.

TIP: If necessary, use a rubber mallet to further secure the shelf.



Step 5:

Repeat Step 4 by fastening more **Slip Sleeves (D)** on the poles and sliding the **Shelves (E)** through the poles to fit tightly on the sleeves for the remaining shelves.

CAUTION:

- **DO NOT STAND ON OR CLIMB ON THE SHELVING SYSTEM.**
- **DO NOT DROP HEAVY ITEMS ON THE SYSTEM.**
- **PLACE HEAVIER ITEMS ON THE LOWER SHELVES AND LIGHTER ONES ON THE TOP SHELVES.**
- **DO NOT MOVE THE SYSTEM WHILE LOADED.**

WARNING:

- **HOLDS 500 LB (226.8 KG) TOTAL USING WHEELS.**
- **HOLDS 3,000 LB (1,360.8 KG) TOTAL USING LEVELING FEET.**

Additional parts and accessories are available online:

www.sevilleclassics.com

TR120315